



INSTALLATION INSTRUCTIONS FOR THE MODEL ASBL7 ADDRESSABLE SOUNDER BASE

The information contained in this installation instruction is a quick reference guide. For detailed system information refer to the panel manufacturer's installation manual. This instruction will not address specific programming procedures.

GENERAL DESCRIPTION

This instruction applies to the model ASBL7 addressable low frequency (520Hz) sounder base, which is to be connected to a DCP Signaling Line Circuit (SLC). The ASBL7 is to be used only with detector models ACA-V, ACC-V, ACD-V, ACE-V, AIE-EA, ALG-V, ALK-V, ALK-V2, ALN-V, ALO-V, ATG-EA, ATJ-EA. The ASBL7 provides an audible, low-frequency alarm in the immediate vicinity. Typical applications are "sleeping areas in hotels, apartments, etc."

WIRING AND ADDRESSING

NOTE: All wiring must conform to local codes, ordinances and regulations.

- 1) Connect wiring to terminals as shown. Do Not loop wire under terminals. Break wire run to provide supervision of connections.
- 2) Install base wiring in accordance with the applicable drawings and appropriate wiring diagram (see following page).
- 3) "The address of the ASBL7 will automatically be set as the host sensor's address + 127. For example, if the address of the attached host sensor is 3, the address of the ASBL7 will be automatically set as 130 (3 + 127) with no loop power applied or the loop wires disconnected."

SPECIFICATIONS	
Model	ASBL7
DCP Voltage Range	17 - 41VDC
DCP Loop Idle Current	250uA
DCP Loop Low Frequency Alarm Current	250uA
Aux. Power Supply Voltage Range	24VDC (16 - 33VDC)
Aux. Power Supply Voltage Range FWR	24VDC (16 - 33VDC)
Auxiliary Idle Current	2.26mA
Auxiliary Low Frequency Alarm Current	140mA @ 16VDC 95mA @ 24VDC 72mA @ 33VDC
Auxiliary Low Frequency Alarm Current FWR	203mA @ 16VFWR 149mA @ 24VFWR 92mA @ 33VFWR
Sound Pressure Level at 10ft.	85dB
Maximum Humidity	93%RH (non-condensing)
Operating Temperature Rang	32°F (0°C) - 100°F (38°C)
Storage Temperature	-22°F (-30°C) ~ 158°F (70°C)
Base Diameter	6.6"
Base Height (without sensor)	1.34" (not including terminal block)
Weight	0.455lb
Compatible Sensors	ACA-V, ACC-V, ACD-V, ACE-V, AIE-EA, ALG-V, ALK-V, ALK-V2, ALN-V, ALO-V, ATG-EA, ATJ-EA

MOUNTING REQUIREMENTS

BASE	BOX MOUNTING		
	3" OCT	4" OCT	4" SQR*
ALL MODELS	NO	NO	YES

FEATURES

- Command selectable evacuation codes - Continuous, March or Temporal Code 3 and Temporal Code 4 patterns.
- Program activation by General Event Type, by Zone, by Cause and Effect or a combination between the three.
- High sound pressure level (85 dB SPL at 10 feet).
- Low frequency (520Hz) alarm in compliance with NFPA requirements for sleeping areas.

CAUTION !

To ensure proper operation connect this base to a compatible Fire Control Panel only. Refer to panel instructions for proper connection and compatibility.

CAUTION !

If this base will be installed in an existing operational system, inform the operator and local authority that the system will be temporarily out of service. Disconnect power to the control panel before installing the base.

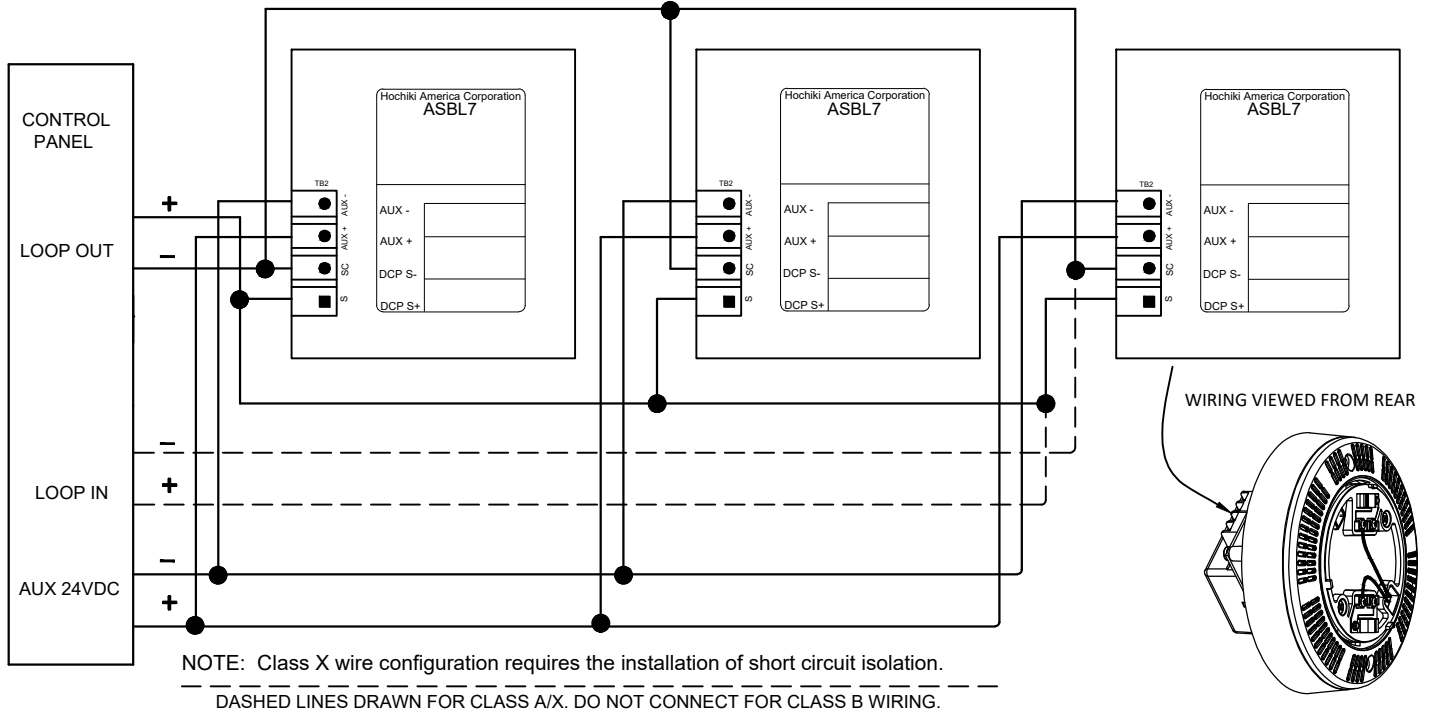
CAUTION

Install the bases in this instruction in accordance with applicable NFPA standards, local codes, and the authorities having jurisdiction. Failure to follow these instructions may result in failure of the sensor and bases to initiate an alarm condition. Hochiki America is not responsible for sensors that have been improperly installed, tested, or maintained.

For testing and cleaning information refer to NFPA-72 for Automatic Fire Detectors for installation guidelines, testing, and maintenance. Use "3M" Weatherban # 606 nonflammable sealing compound to seal field wiring conduit openings in the mounting back box. Compliance with this request may reduce the occurrence of the "STACK EFFECT".

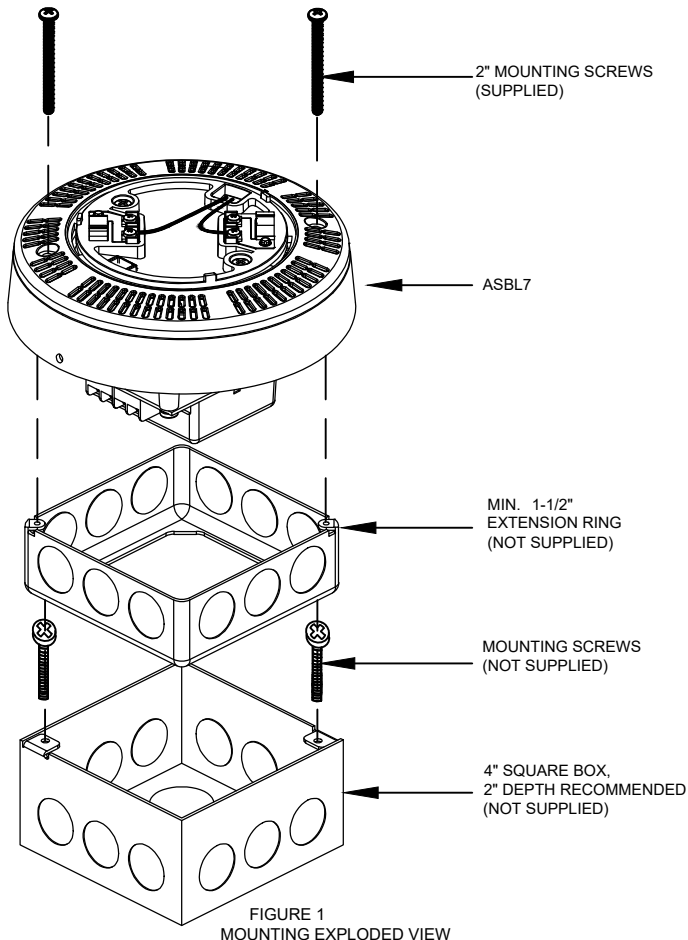
* SEE SHEET 2 OF 2 FOR SPECIFIC BACK BOX REQUIREMENTS

ASBL7 SLC WIRING, ONLY WIRING BOARD AND LABEL SHOWN



ASBL7 Mounting Instructions

The ASBL7 sounder base mounts to a 4" extension ring (not supplied) with two 8-32, 2" mounting screws (supplied). The extension ring mounts to the 4" back box with two mounting screws (both 4" box and screws not included).



For installations which extend beyond the mounting surface, or do not have sufficient mounting box depth, an optional trim ring is available. Insert the ASBL7 into the trim ring prior to mounting to the electrical box.

